

Installation Instructions

EC·SENSE®

“no need to cool air when there’s no-one there”

ECOSENSE 2000



Before installing Ecosense please read all the following instructions carefully
<http://www.ecosense.uk.com>



MADE IN CHINA

Installation Instructions

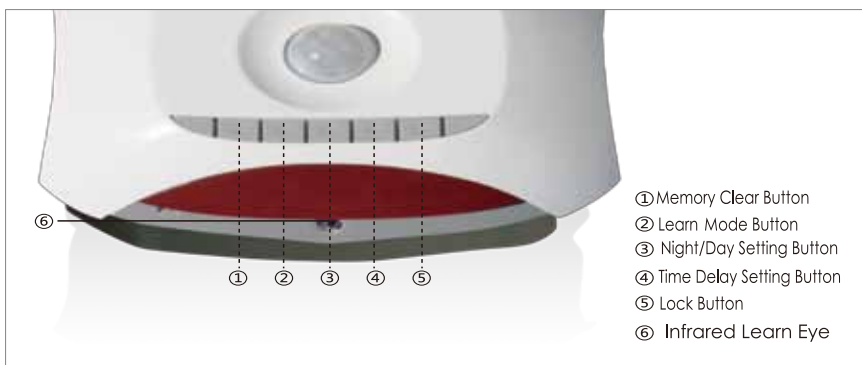
Ecosense 2000

How Ecosense works

Before commencing set up, it is important to fully understand how Ecosense operates before choosing which settings to use.

Ecosense 2000 will scan the room for occupancy, when no occupancy has been detected after a pre-set time delay, a signal will be transmitted to the A/C to switch it off. After the signal has been transmitted Ecosense will then go into standby mode. During standby mode, for as long as the room stays unoccupied, Ecosense will not transmit any further signals to the A/C. On re-entering the room as soon as Ecosense detects movement it automatically returns to active mode, this is signified by a single flash of the indicator light positioned in the window below the function buttons. At no time will Ecosense switch the A/C "On". When in active mode as soon as the room is unoccupied again beyond the preset time delay the "Off" signal will be transmitted to the A/C. Ecosense will then return to standby mode.

Ecosense has a light to indicate when movement has been detected, however in order to conserve battery power this light will only flash at two minute intervals. To help increase the battery life we recommend using the night setting option, plus the timer delay set at 30 min. We estimate using these settings to control the A/C in a bedroom will give a battery life of approx. nine months. Ecosense 2000 requires 5 x AA batteries. We recommend using quality batteries such as Duracell or Energizer lithium.



Set-up/ Function setting options

Button lock

The function buttons are locked to prevent tampering. In order to unlock the buttons, ////
////////////////////////////////////, the buttons are now unlocked. When no activity with the buttons has been detected after a ten minute period the buttons will automatically re-lock.

Learn mode

To prepare Ecosense to copy the infrared "Off" signal from your A/C remote, press and hold the learn/test button until a red light comes on. This light will stay on for 10 seconds, during this time Ecosense will be in learn mode.

Switch the A/C "On" then put Ecosense into learn mode. Position the infrared sending eye of the A/C remote directly facing the Ecosense learn eye with a minimum distance between the two of 1 cm. Whilst in this position press the "Off" button on the A/C remote. The red light will flash twice to indicate Ecosense has successfully copied the signal.

Point the Ecosense learn/test eye towards the A/C (with the A/C still running) Press the learn/test button once, the red indicator light will flash once and a test signal will be transmitted to the A/C switching it off. This process has now been completed

Night/Day setting

Ecosense has three setting options, when you press the NIGHT/DAY setting button the light will flash once, twice or three times to indicate which mode it is set in. To change the mode keep pressing the button and it will scroll through the options.

- 1) One flash indicates continuous running, this means Ecosense will operate 24 hours day or night.
- 2) Two flashes indicate COMFORT PLUS mode, in this setting when Ecosense detects darkness it automatically resets the time delay to one hour. During this time (in darkness only) if Ecosense detects no movement in one hour it will transmit the

"Off" signal to the A/C. As soon as Ecosense detects light again, the time delay reverts back to the original setting.

- 3) Three flashes indicates NIGHT SETTING mode. This means that as soon as Ecosense detects darkness it goes into standby mode i.e. the A/C can run continually until Ecosense detects daylight again.

Delay setting

Ecosense has three TIME DELAY settings, when you press the TIME DELAY setting button the light will flash once, twice or three times to indicate which mode setting is in operation. To change the setting keep pressing the button and it will scroll through the options.

- 1) One flash indicates a 15 minute time delay.
- 2) Two flashes indicate a 30 minute time delay.
- 3) Three flashes indicate a 45 minute time delay.

Clear Memory

Press and hold the MEMORY CLEAR button until the light flashes twice, this will indicate that the IR signal memory has been cleared, all other settings will remain in place. If you wish to adjust any other settings, unlock function buttons and use relevant set-up procedure.

Positioning Ecosense.

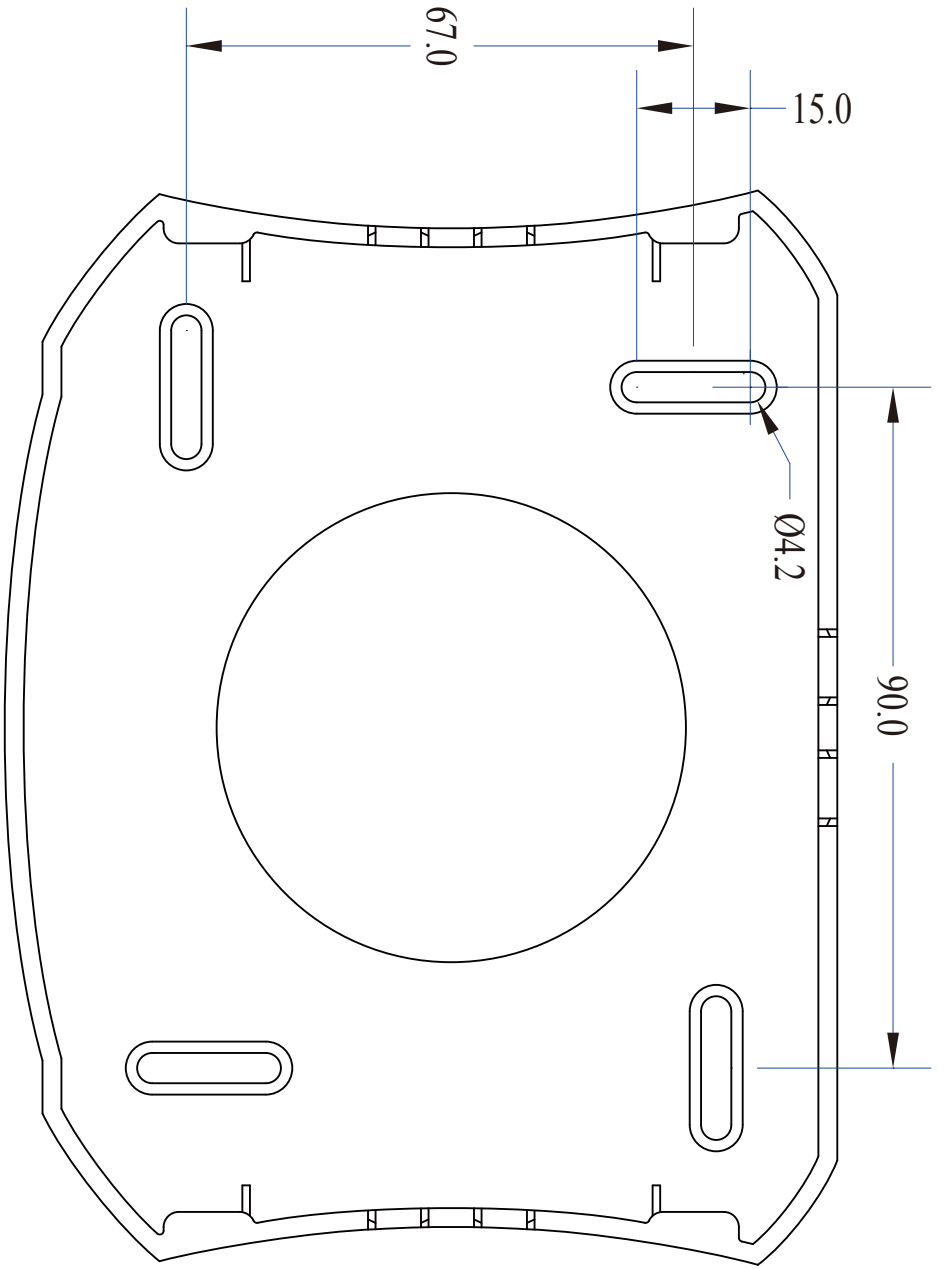
We recommend fitting Ecosense centrally on the ceiling to give maximum movement detection coverage. Use the template provide to mark the screw fixing holes, remember to face the Ecosense Learn/Test eye towards the A/C. To be sure of connectivity between Ecosense and the A/C before drilling the fixing holes, hold Ecosense in the proposed finished position (with the button lock off) press the Learn/Test button to test that the A/C switches off. Ecosense is attached to the base plate using tamper proof screws. When the installation is complete remember to keep the screw key in a safe place for future use.

Help line

If you have any questions or problems during installation please use the following numbers for assistance.

Calling from U.K. 0800 9172659

Calling from abroad 0044 7775 893956



EC  **SENSE**®

“no need to cool air when there’s no-one there”

<http://www.ecosense.uk.com>

ECOSENSE 2000

MADE IN CHINA